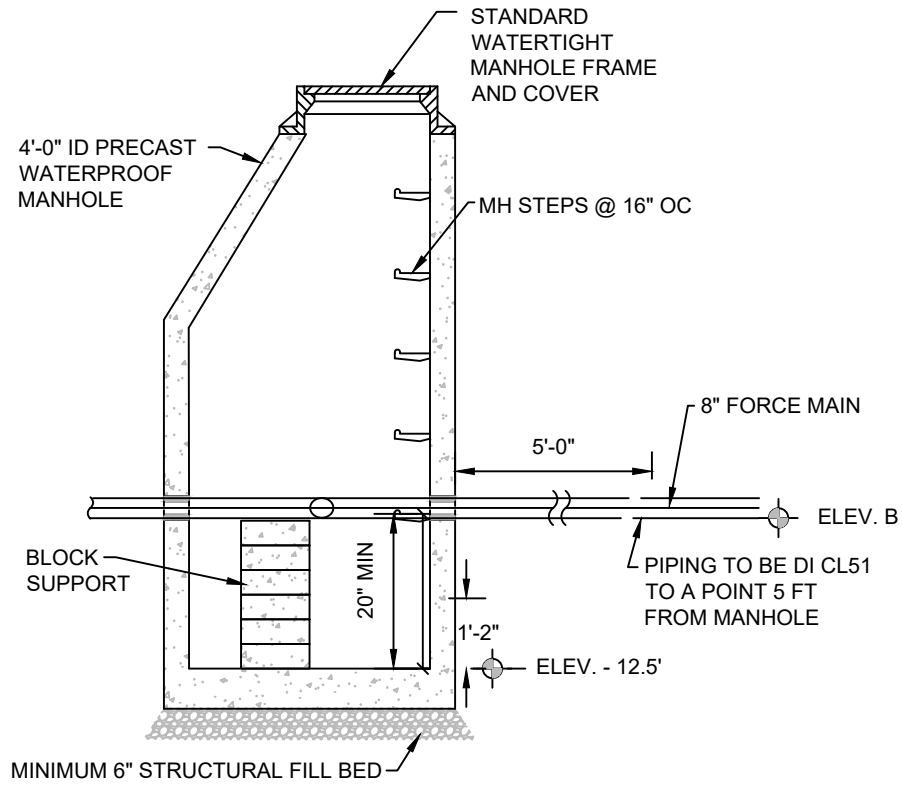


CLEANOUT MANHOLE PLAN

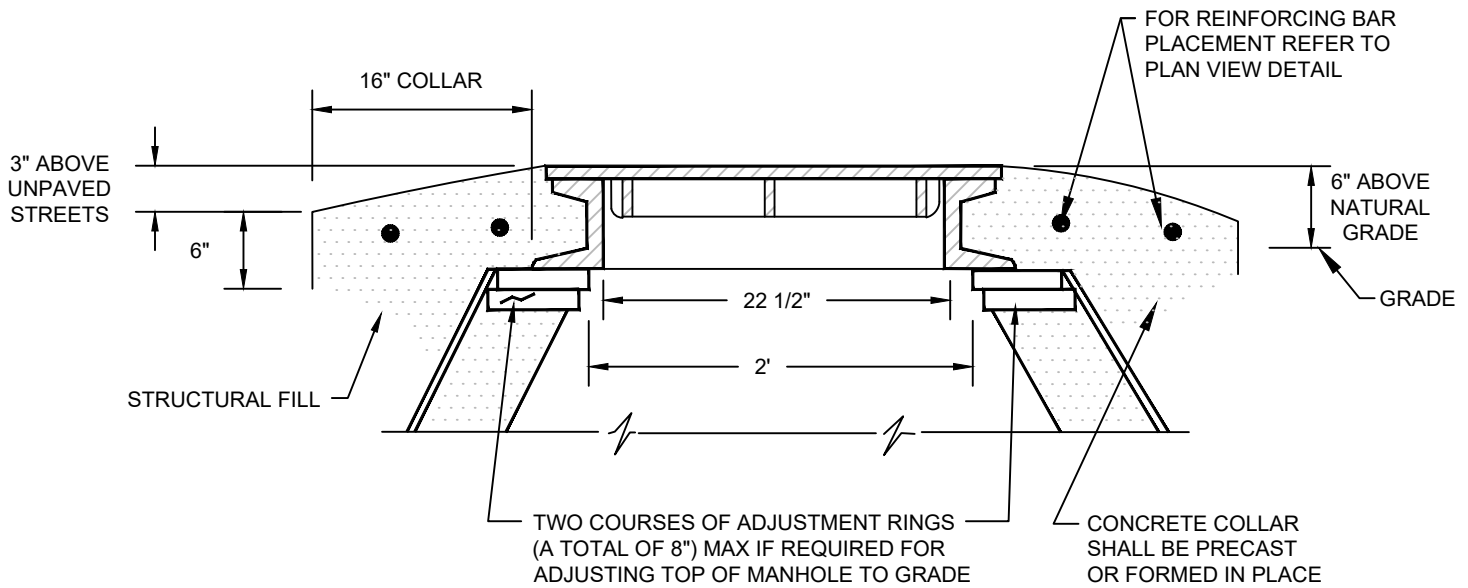
NOT TO SCALE



CLEANOUT MANHOLE SECTION



NOT TO SCALE

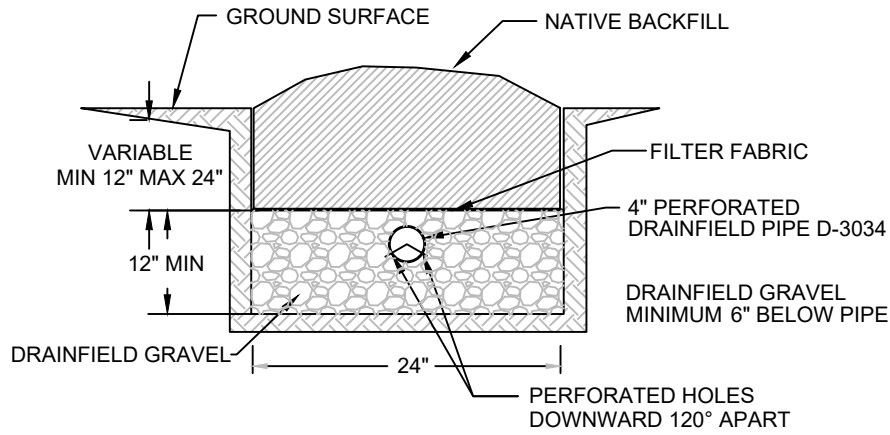
S-1	CLEANOUT MANHOLE		TODD CREEK VILLAGE METROPOLITAN DISTRICT		DATE	REVISIONS
					2021-06-19	A1 - ISSUED FOR REVIEW
SHEET 1 OF 1	NOT TO SCALE	APPROVED BY: XB	DRAWN BY: QH		2022-08-13	A2 - ISSUED FOR APPROVAL



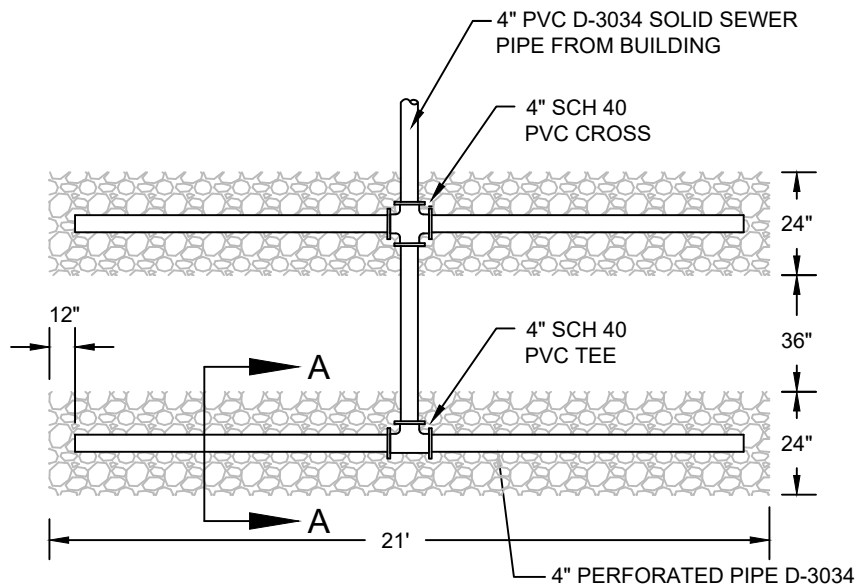
MANHOLE FRAME AND COVER

NOT TO SCALE

S-2	MANHOLE FRAME AND COVER		TODD CREEK VILLAGE METROPOLITAN DISTRICT		<table border="1" style="font-size: 8px;"> <thead> <tr> <th>DATE</th> <th>REVISIONS</th> </tr> </thead> <tbody> <tr> <td>2021-06-19</td> <td>A1 - ISSUED FOR REVIEW</td> </tr> <tr> <td>2022-08-13</td> <td>A2 - ISSUED FOR APPROVAL</td> </tr> <tr> <td> </td> <td> </td> </tr> <tr> <td> </td> <td> </td> </tr> <tr> <td> </td> <td> </td> </tr> <tr> <td> </td> <td> </td> </tr> <tr> <td> </td> <td> </td> </tr> <tr> <td> </td> <td> </td> </tr> </tbody> </table>	DATE	REVISIONS	2021-06-19	A1 - ISSUED FOR REVIEW	2022-08-13	A2 - ISSUED FOR APPROVAL												
DATE	REVISIONS																						
2021-06-19	A1 - ISSUED FOR REVIEW																						
2022-08-13	A2 - ISSUED FOR APPROVAL																						
SHEET 1 OF 1	NOT TO SCALE APPROVED BY: <u>XB</u> DRAWN BY: <u>QH</u>																						



SECTION A-A



PLAN

DRAINFIELD DETAIL

NOT TO SCALE

S-3

DRAINFIELD DETAIL

NOT TO SCALE



TODD CREEK
VILLAGE
METROPOLITAN
DISTRICT

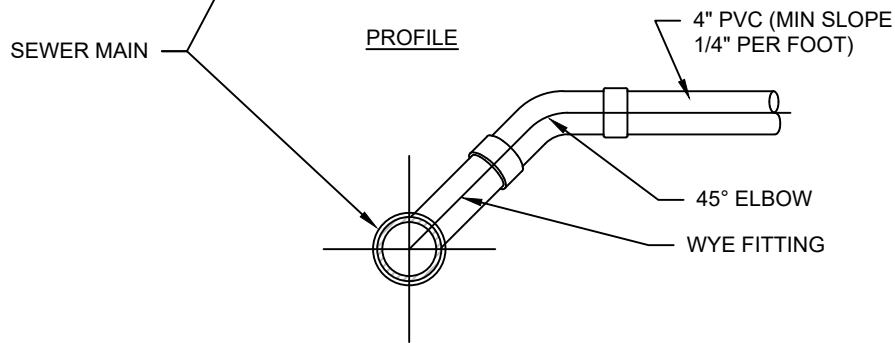
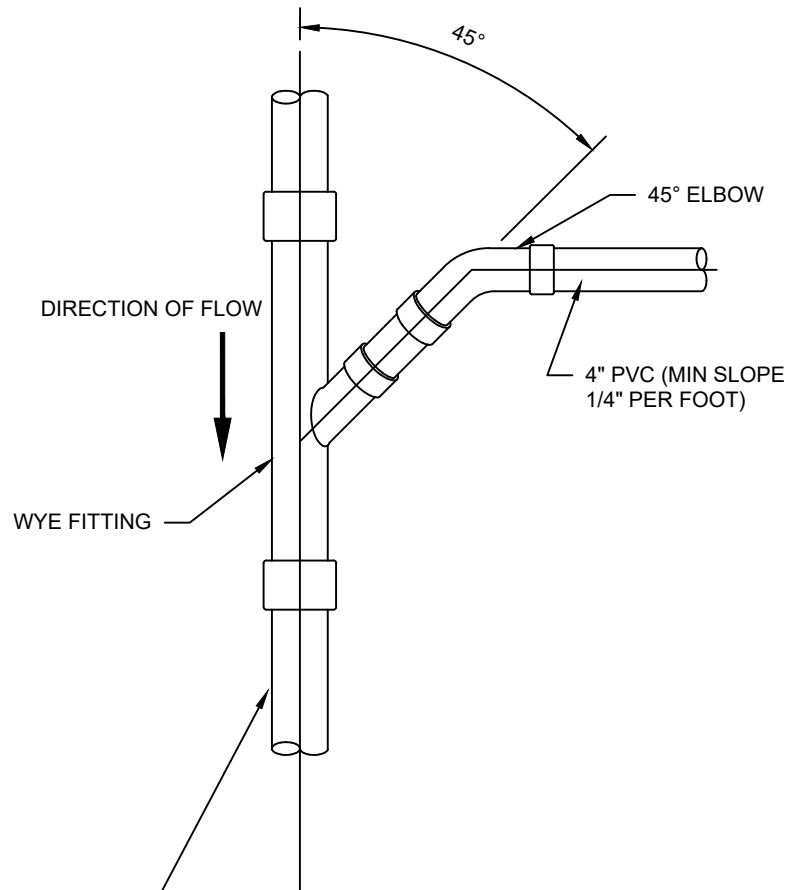


DATE	REVISIONS
2021-06-19	A1 - ISSUED FOR REVIEW
2022-08-13	A2 - ISSUED FOR APPROVAL

APPROVED BY: XB DRAWN BY: QH

SHEET
1 OF 1

PLAN VIEW



SEWER MAIN CONNECTION

NOT TO SCALE

S-4

SEWER MAIN CONNECTION

NOT TO SCALE



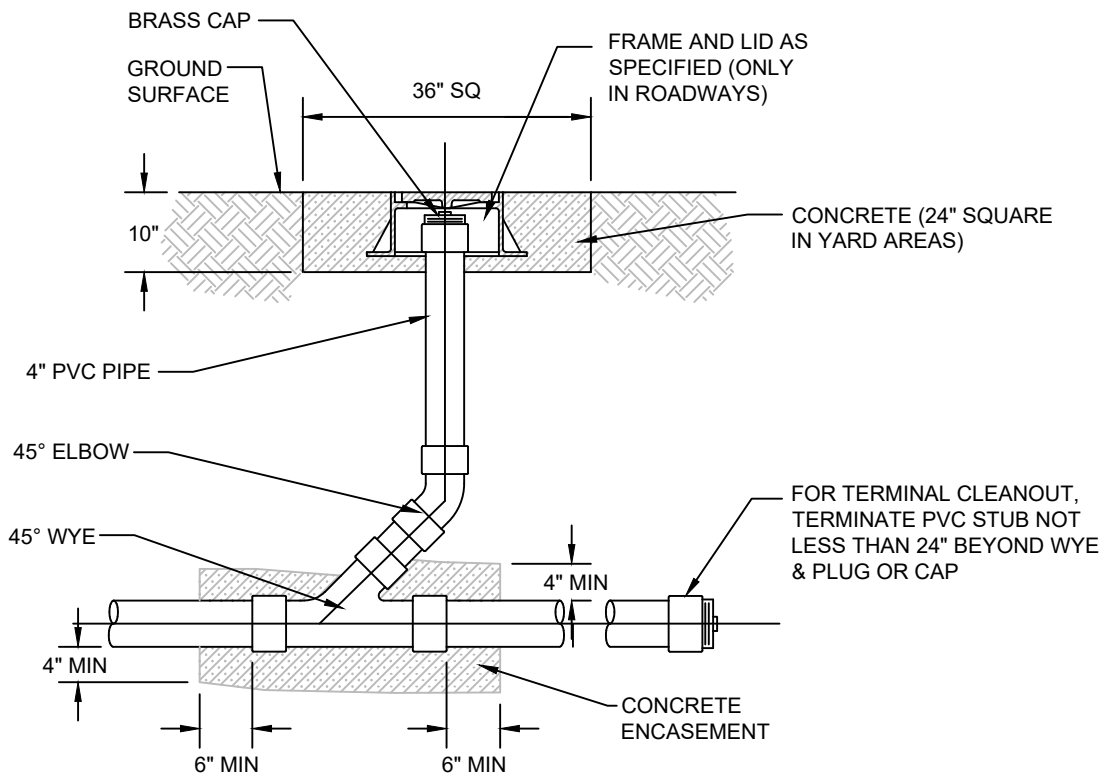
TODD CREEK
VILLAGE
METROPOLITAN
DISTRICT



DATE	REVISIONS
2021-06-19	A1 - ISSUED FOR REVIEW
2022-08-13	A2 - ISSUED FOR APPROVAL

APPROVED BY: XB DRAWN BY: QH

SHEET
1 OF 1



SEWER SERVICE CLEANOUT

NOT TO SCALE

S-5

SEWER SERVICE CLEANOUT



TODD CREEK
VILLAGE
METROPOLITAN
DISTRICT



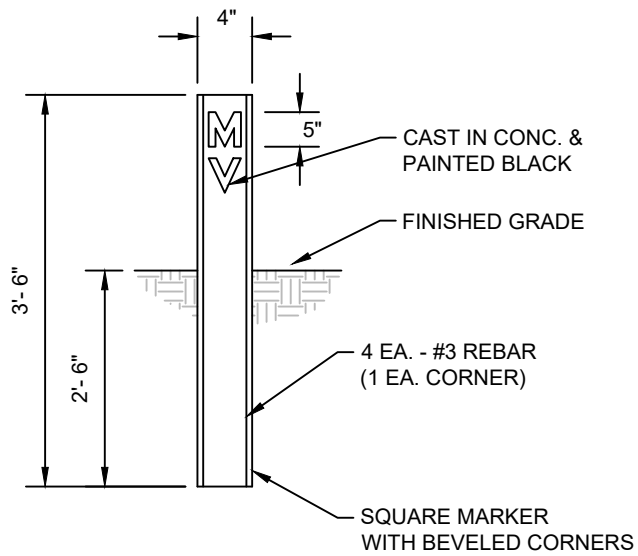
DATE	REVISIONS
2021-06-19	A1 - ISSUED FOR REVIEW
2022-08-13	A2 - ISSUED FOR APPROVAL

SHEET
1 OF 1

NOT TO SCALE

APPROVED BY: XB

DRAWN BY: QH



VALVE MARKER DETAIL

NOT TO SCALE

S-6

VALVE MARKER DETAIL

NOT TO SCALE



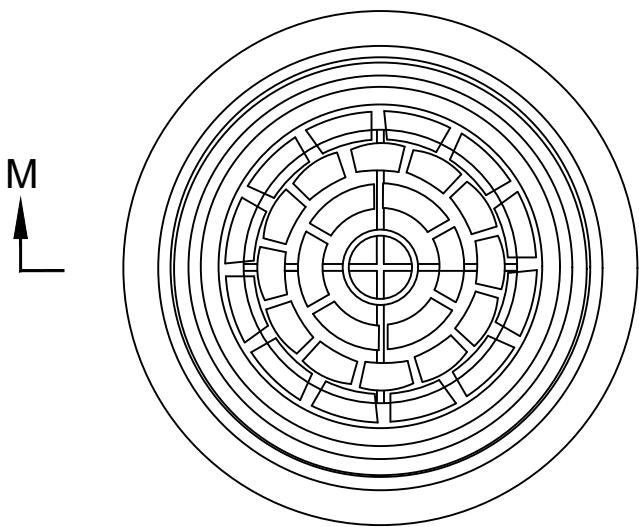
TODD CREEK
VILLAGE
METROPOLITAN
DISTRICT



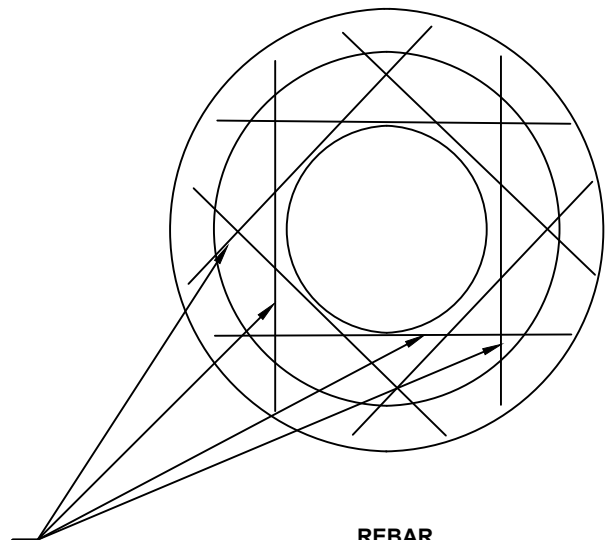
DATE	REVISIONS
2021-06-19	A1 - ISSUED FOR REVIEW
2022-08-13	A2 - ISSUED FOR APPROVAL

APPROVED BY: XB DRAWN BY: QH

SHEET
1 OF 1



**PLAN
VIEW**



**REBAR
PLACEMENT**

REINFORCE W/8
#4 PLACED AS
SHOWN 2"
COVER AT ENDS
AND BOTTOM

MANHOLE COVER

NOT TO SCALE

S-7

MANHOLE COVER

NOT TO SCALE



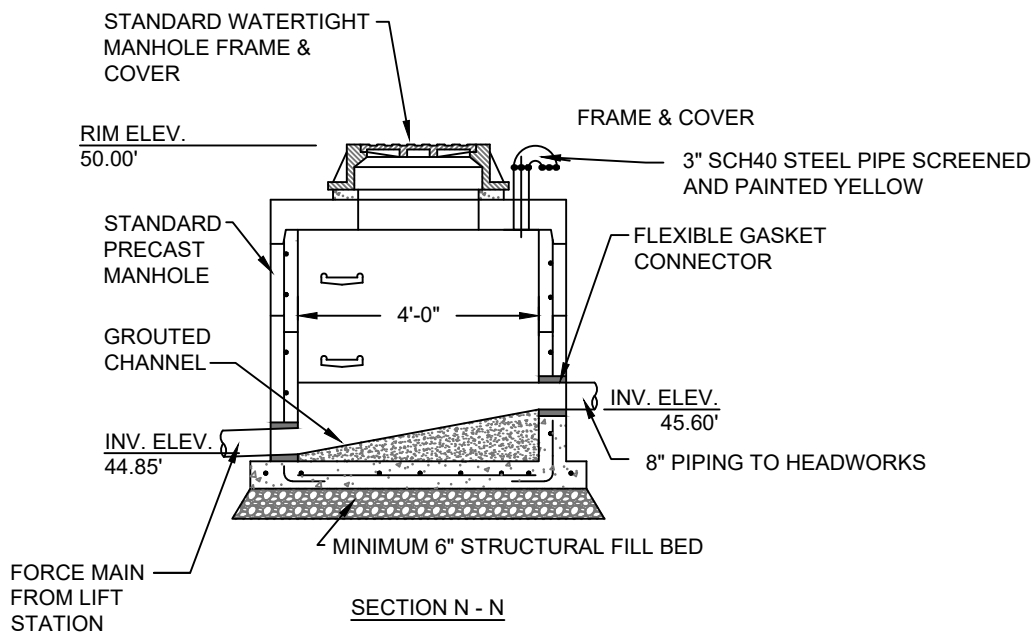
TODD CREEK
VILLAGE
METROPOLITAN
DISTRICT



DATE	REVISIONS
2021-05-19	A1 - ISSUED FOR REVIEW
2022-08-13	A2 - ISSUED FOR APPROVAL



APPROVED BY: XB DRAWN BY: QH

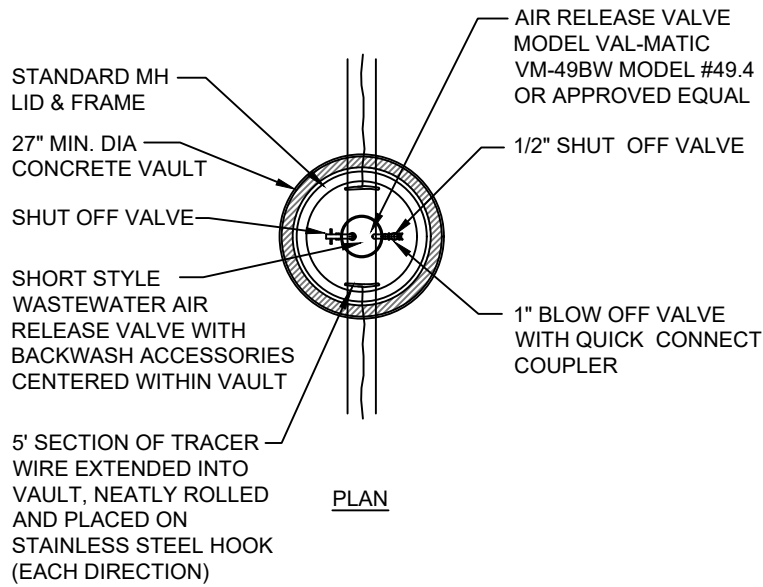
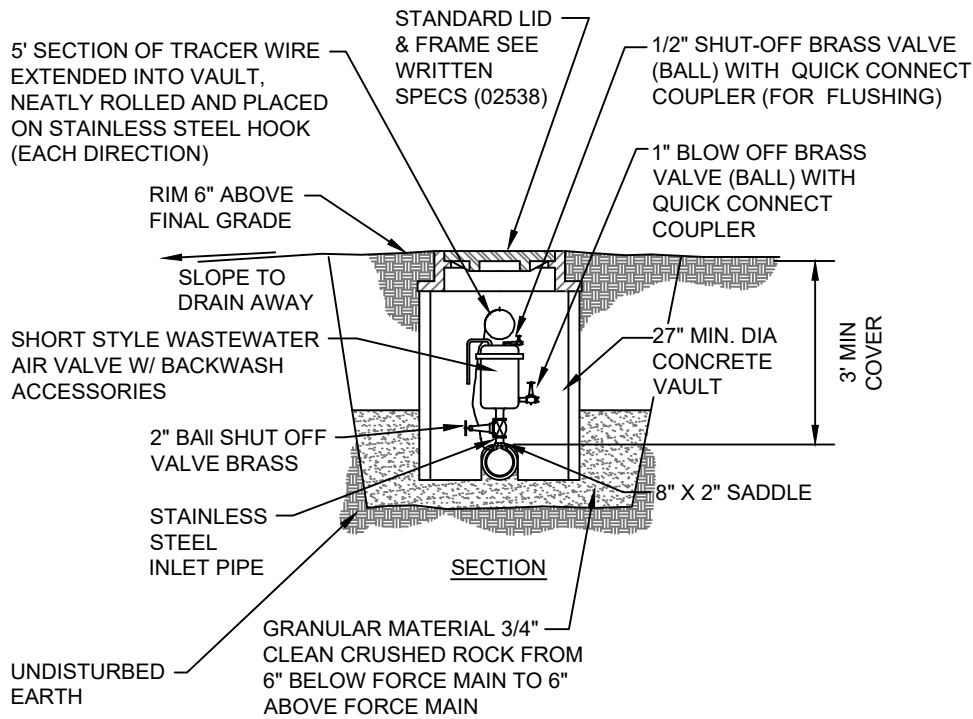
SHEET
1 OF 1



TRANSITION MANHOLE

NOT TO SCALE

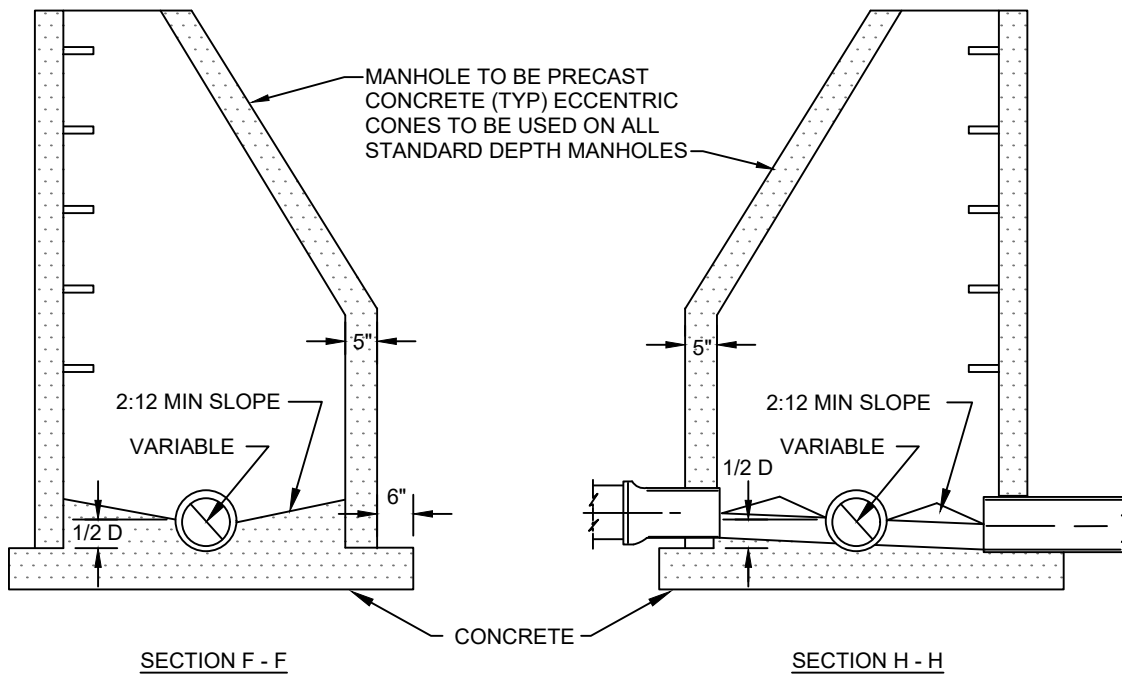
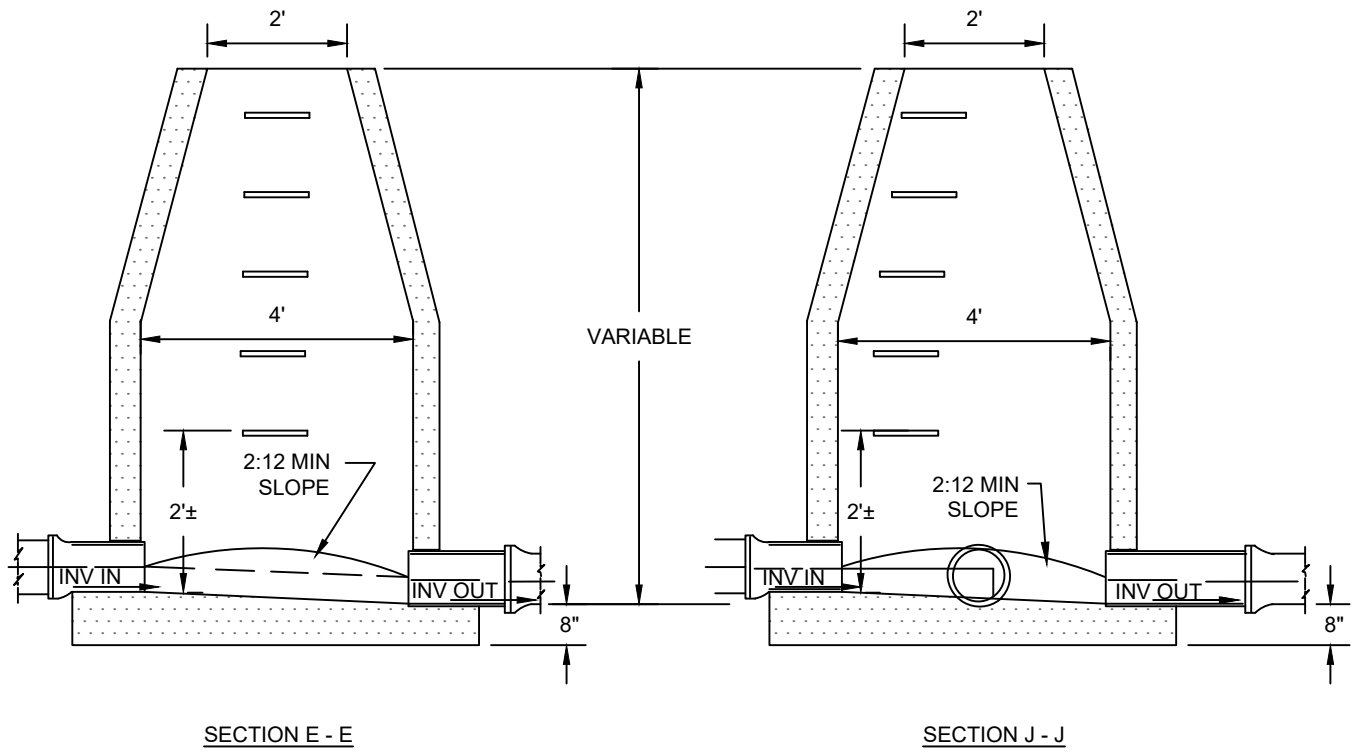
S-9	TRANSITION MANHOLE		TODD CREEK VILLAGE METROPOLITAN DISTRICT		<table border="1" style="font-size: 8px;"> <thead> <tr> <th>DATE</th> <th>REVISIONS</th> </tr> </thead> <tbody> <tr> <td>2021-06-19</td> <td>A1 - ISSUED FOR REVIEW</td> </tr> <tr> <td>2022-08-13</td> <td>A2 - ISSUED FOR APPROVAL</td> </tr> <tr> <td> </td> <td> </td> </tr> <tr> <td> </td> <td> </td> </tr> <tr> <td> </td> <td> </td> </tr> <tr> <td> </td> <td> </td> </tr> <tr> <td> </td> <td> </td> </tr> </tbody> </table>	DATE	REVISIONS	2021-06-19	A1 - ISSUED FOR REVIEW	2022-08-13	A2 - ISSUED FOR APPROVAL										
DATE	REVISIONS																				
2021-06-19	A1 - ISSUED FOR REVIEW																				
2022-08-13	A2 - ISSUED FOR APPROVAL																				
SHEET 1 OF 1	NOT TO SCALE	APPROVED BY: <u>XB</u>	DRAWN BY: <u>QH</u>																		



SEWER AIR RELEASE VALVE

NOT TO SCALE

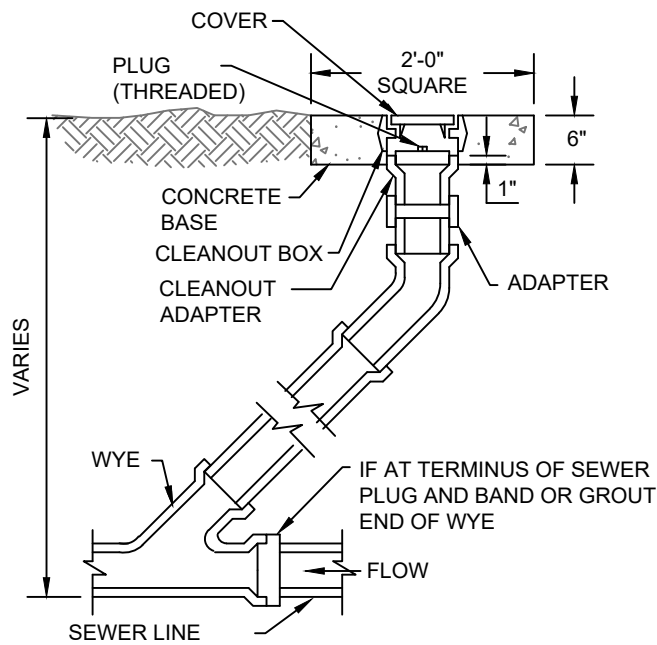
S-10	SEWER AIR RELEASE VALVE		TODD CREEK VILLAGE METROPOLITAN DISTRICT		<table border="1" style="font-size: 8px; border-collapse: collapse;"> <thead> <tr> <th style="width: 50%;">DATE</th> <th style="width: 50%;">REVISIONS</th> </tr> </thead> <tbody> <tr> <td>2021-06-19</td> <td>A1 - ISSUED FOR REVIEW</td> </tr> <tr> <td>2022-08-13</td> <td>A2 - ISSUED FOR APPROVAL</td> </tr> <tr> <td> </td> <td> </td> </tr> <tr> <td> </td> <td> </td> </tr> <tr> <td> </td> <td> </td> </tr> <tr> <td> </td> <td> </td> </tr> </tbody> </table>	DATE	REVISIONS	2021-06-19	A1 - ISSUED FOR REVIEW	2022-08-13	A2 - ISSUED FOR APPROVAL								
DATE	REVISIONS																		
2021-06-19	A1 - ISSUED FOR REVIEW																		
2022-08-13	A2 - ISSUED FOR APPROVAL																		
SHEET 1 OF 1	NOT TO SCALE APPROVED BY: <u>XB</u> DRAWN BY: <u>QH</u>																		



STANDARD MANHOLE

NOT TO SCALE

S-11	STANDARD MANHOLE		TODD CREEK VILLAGE METROPOLITAN DISTRICT		<table border="1" style="width: 100%; border-collapse: collapse;"> <thead> <tr> <th style="text-align: left;">DATE</th> <th style="text-align: left;">REVISIONS</th> </tr> </thead> <tbody> <tr> <td>2021-06-19</td> <td>A1 - ISSUED FOR REVIEW</td> </tr> <tr> <td>2022-08-13</td> <td>A2 - ISSUED FOR APPROVAL</td> </tr> <tr> <td> </td> <td> </td> </tr> <tr> <td> </td> <td> </td> </tr> <tr> <td> </td> <td> </td> </tr> <tr> <td> </td> <td> </td> </tr> <tr> <td> </td> <td> </td> </tr> </tbody> </table>	DATE	REVISIONS	2021-06-19	A1 - ISSUED FOR REVIEW	2022-08-13	A2 - ISSUED FOR APPROVAL										
DATE	REVISIONS																				
2021-06-19	A1 - ISSUED FOR REVIEW																				
2022-08-13	A2 - ISSUED FOR APPROVAL																				
SHEET 1 OF 1	NOT TO SCALE APPROVED BY: <u>XB</u> DRAWN BY: <u>QH</u>																				



SEWER CLEANOUT

NOT TO SCALE

S-12

SEWER CLEANOUT

NOT TO SCALE



TODD CREEK
VILLAGE
METROPOLITAN
DISTRICT



DATE	REVISIONS
2021-06-19	A1 - ISSUED FOR REVIEW
2022-08-13	A2 - ISSUED FOR APPROVAL

APPROVED BY: XB DRAWN BY: QH

SHEET
1 OF 1

TACK COAT ALL SURFACES
PRIOR TO ASPHALTING

SAWCUT AND EXCAVATE KEY
BOTH SIDES OF TRENCH

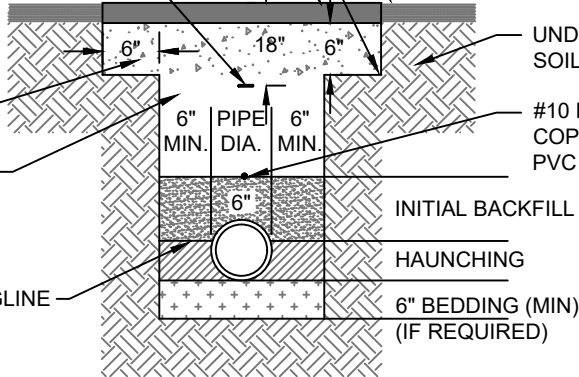
2" MINIMUM HOT ASPHALT PATCH

LOCATOR TAPE
(TYP)

6" CRUSHED
GRAVEL BASE

FINAL BACKFILL

SPRINGLINE



ROAD CROSSING

NOTES:

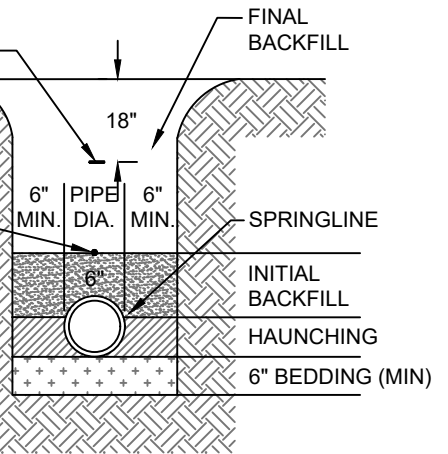
1. MINIMUM DEPTH TO TOP OF PIPE IS 42" FOR WATER MAIN AND 36" FOR SEWER FORCE MAIN. MINIMUM DEPTH TO TOP OF CABLE IS 24".

UNDISTURBED
SOIL (TYP)

#10 INSULATED
COPPER WIRE (FOR
PVC OR PE PIPE)

PIPE
EMBEDMENT
ZONE

LOCATOR TAPE
(TYP)



PIPE ONLY

TYPICAL TRENCH DETAIL

NOT TO SCALE

S-13

TYPICAL TRENCH DETAIL

NOT TO SCALE



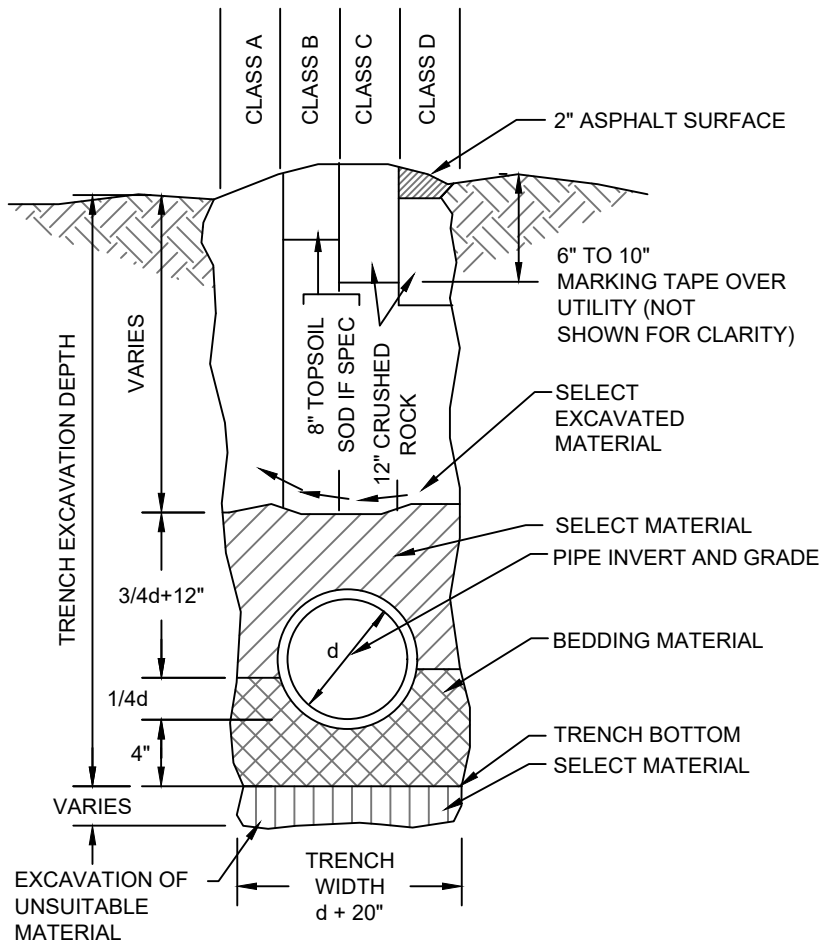
TODD CREEK
VILLAGE
METROPOLITAN
DISTRICT



DATE	REVISIONS
2021-06-19	A1 - ISSUED FOR REVIEW
2022-08-13	A2 - ISSUED FOR APPROVAL

APPROVED BY: XB DRAWN BY: QH

SHEET
1 OF 1



d = NOMINAL DIA.

SEWER MAIN TRENCH

NOT TO SCALE

S-14

SEWER MAIN TRENCH

NOT TO SCALE

APPROVED BY: XB

DRAWN BY: QH

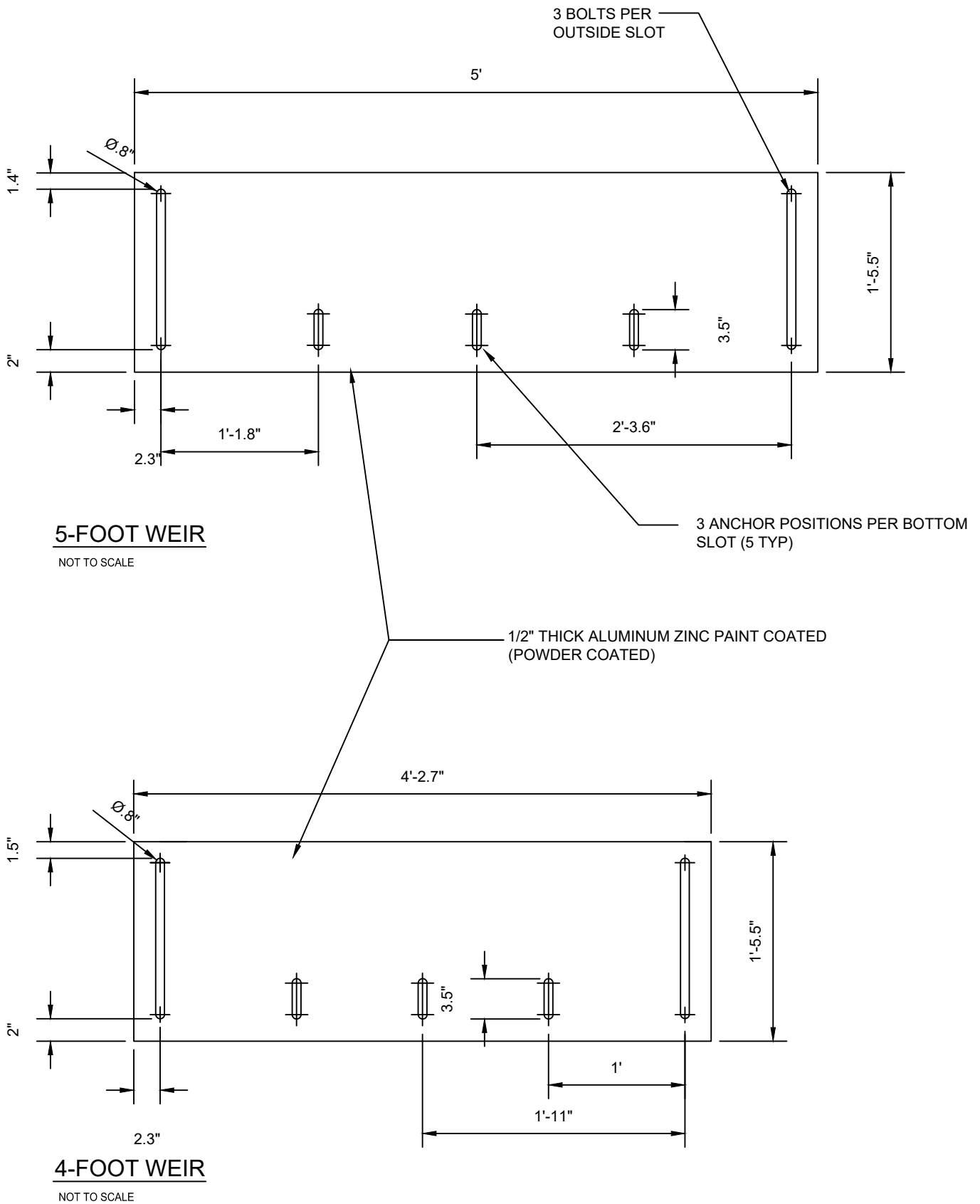


TODD CREEK
VILLAGE
METROPOLITAN
DISTRICT



DATE	REVISIONS
2021-06-19	A1 - ISSUED FOR REVIEW
2022-08-13	A2 - ISSUED FOR APPROVAL

SHEET
1 OF 1



S-15

**5-FOOT WEIR
AND 4-FOOT WEIR**
NOT TO SCALE



**TODD CREEK
VILLAGE
METROPOLITAN
DISTRICT**

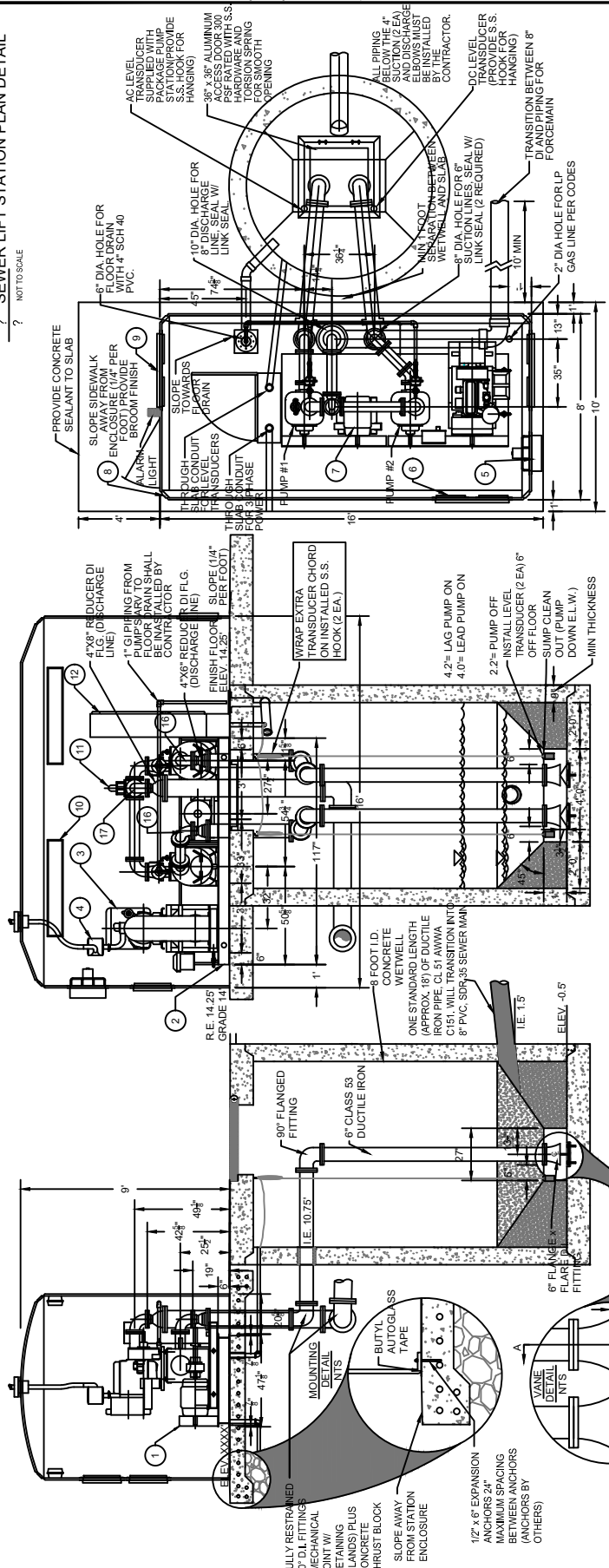


DATE	REVISIONS
2021-06-19	A1 - ISSUED FOR REVIEW
2022-08-13	A2 - ISSUED FOR APPROVAL

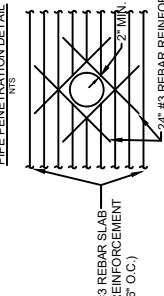
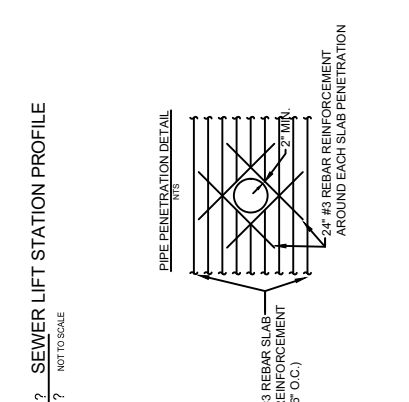
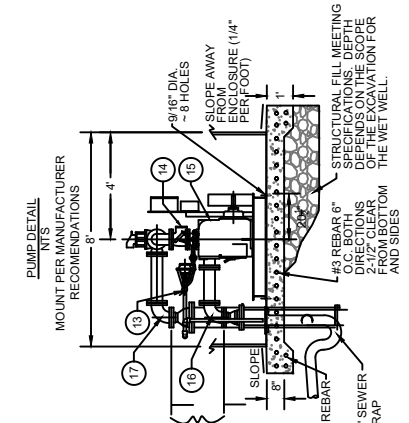
APPROVED BY: XB DRAWN BY: QH

SHEET
1 OF 1

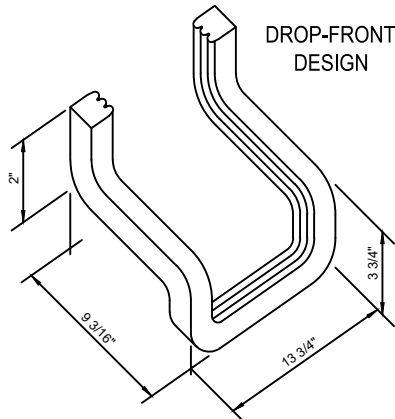
? SEWER LIFT STATION PLAN DETAIL
? NOT TO SCALE



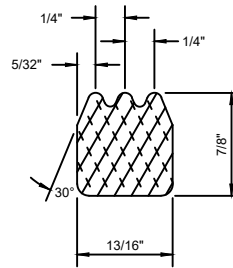
ITEM	DESCRIPTION	MATERIAL & SIZE
1	BELT GUARD ASSY	STEEL
2	PUMP & MOTOR BASE ASSY	STEEL
3	ENGINE (NISSAN)	LIQUID COOLED
4	EXHAUST SILENCER	STAINLESS STEEL
5	EXHAUST FAN ASSY	1600 CFM
6	EXHAUST VENT ASSY	ALUMINUM (4 SHUTTERS)
7	MOTOR	CAST IRON
8	STATION ENCLOSURE	FIBERGLASS 8' X 16'
9	INTAKE VENT ASSY	ALUMINUM (4 SHUTTERS)
10	FLUORESCENT LIGHT FIXTURE	80 WATT FIXTURE
11	DISCHARGE PLUG VALVE	CAST IRON 4" 3-WAY
12	CONTROL PANEL	STEEL
13	AIR RELEASE VALVE	CAST IRON 1" (SHIPPED LOOSE)
14	DISCHARGE CHECK VALVE	CAST IRON 4"
15	PUMP	CAST IRON 14" x 8"
16	4" 90° ELBOW SUCTION	CAST IRON FLANGE
17	4" 90° ELBOW DISCHARGE	CAST IRON FLANGE



- NOTES:**
- LINK SEAL ALL OPENINGS THRU CONCRETE SLAB INTO STATION ENCLOSURE GAS TIGHT.
 - GAS TIGHT FLOOR DRAIN RECOMMENDED FOR PUMP MAINTENANCE.
 - ALL PIPING UNDER CONCRETE SLAB SHALL BE DUCTILE IRON TO A POINT OF 10 FT SHORT FROM EDGE OF SLAB.
 - ALL FITTINGS UNDER CONCRETE SLAB SHALL BE MECHANICAL BLOCK WITH FIRE RINGS AND GASKETS THROUGH BLOCKED EXCAVATION UNDER CONCRETE SLAB.
 - ALL OPENINGS IN WETWELL SHALL HAVE WATER TIGHT FLEXIBLE GASKETS/SEALS.
 - OBSERVED WATER TABLE AT ELEV. 3.5'
 - ALL SEWAGE PIPING IN THE LIFT STATION SHALL BE PAINTED DARK GRAY



TYP. CROSS SECTION ON ALL STEPS



ALCOA ALUMINUM MANHOLE STEP
PART No. 12653B

CAPACITY
1,000 LBS WITH STEP EXTENDED 6 IN. FROM WALL.
1,500 LBS WITH STEP EXTENDED 4 IN. FROM WALL.
LOAD APPLIED AT CENTER OF STEP.
LOAD BASED ON NO PERMANENT DEFORMATION.

ALLOY
ALCOA ALUMINUM-MAGNESIUM-SILICIDE-TYPE ALLOY
CONFORMING TO FEDERAL SPECIFICATION QQ-A-200/8.

MECHANICAL PROPERTIES
TENSILE STRENGTH-38,000 psi (MIN);
YIELD STRENGTH-35,000 psi (MIN);
ELONGATION-10% IN 2 IN. (MIN).

NOMINAL CHEMICAL COMPOSITION
MAGNESIUM-1.00%; SILICON-0.60%; COPPER-0.25%.
ALUMINUM AND NORMAL IMPURITIES CONSTITUTE
REMAINDER.

NOTE: ALUMINUM STEPS SHALL HAVE A
BITUMINOUS COATING ON ALL AREAS
IN CONTACT WITH CONCRETE.

SPECIFICATIONS
ALL ALCOA MANHOLE STEPS & LADDER
RUNGS SHALL INCORPORATE TWO NON-
SKID GROOVES NOT TO EXCEED 1/8" DEEP
AND 1/8" WIDE. THEY SHALL BE MADE OF
ALUMINUM ALLOY CONFORMING TO FEDERAL
SPECIFICATION QQ-A-200/8, HAVING A
MINIMUM TENSILE STRENGTH OF 38,000 psi
& A MINIMUM YIELD STRENGTH OF 35,000 psi.
THEY MUST HAVE AN ELONGATION OF NOT
LESS THAN 10% IN 2", & MUST CARRY A
LOAD IN THE CENTER OF THE CROSS BAR
OF 1,000 LBS WHEN PROJECTED 6" FROM
THE WALL & 1,500 LBS WHEN PROJECTED
4" FROM THE WALL WITHOUT PERMANENT
DEFORMATION.

WEIGHT-2.23 LBS.

MANHOLE STEP

NOT TO SCALE

S-17

MANHOLE STEP

NOT TO SCALE



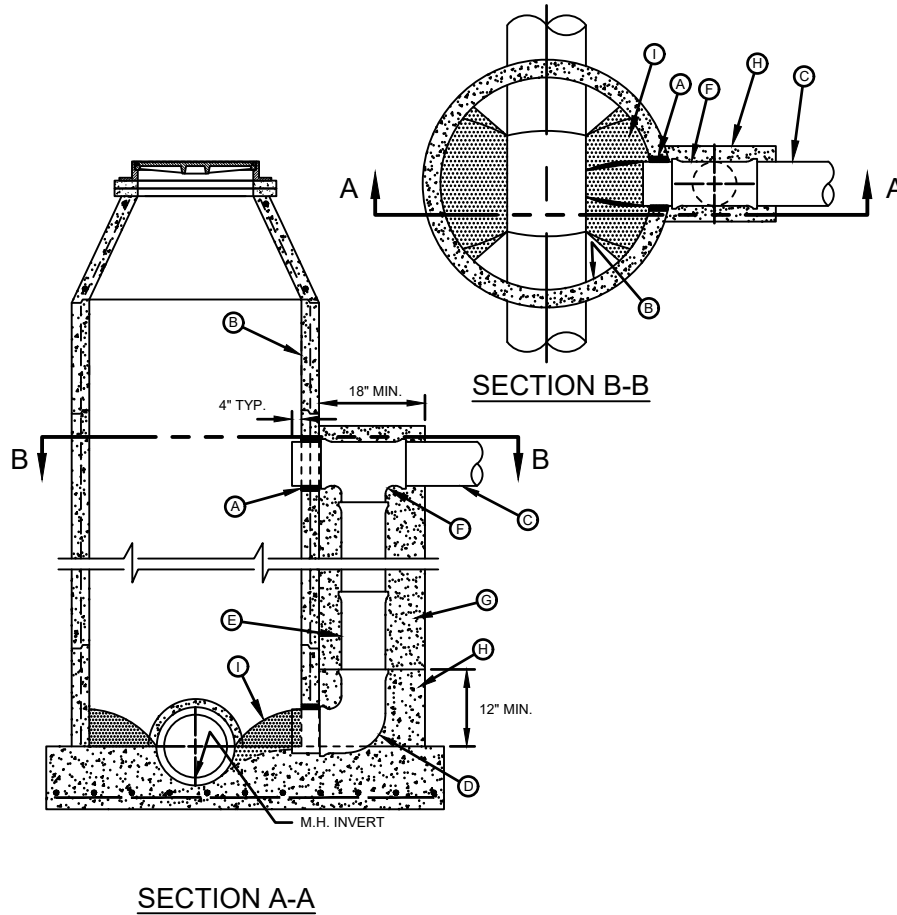
**TODD CREEK
VILLAGE
METROPOLITAN
DISTRICT**



DATE	REVISIONS
2021-06-19	A1 - ISSUED FOR REVIEW
2022-08-13	A2 - ISSUED FOR APPROVAL

APPROVED BY: XB DRAWN BY: QH

SHEET
1 OF 1



GENERAL NOTES:

1. DROP CONNECTION SHOWN MAY BE USED ON ALL MANHOLE TYPES (NOT RECOMMENDED IN GROUND WATER CONDITIONS).
2. DROP CONNECTION TO BE CONSTRUCTED WHEN INVERT ELEVATION OF INFLUENT PIPE IS 2 FEET (OR GREATER) ABOVE THE MANHOLE INVERT.

CONSTRUCTION KEY NOTES:

- A. PIPE OPENINGS IN MANHOLE RISERS SHALL HAVE COMPRESSION TYPE FLEXIBLE PIPE TO MANHOLE CONNECTORS (A.S.T.M. - C923) "KOR-N-SEAL" OR APPROVED EQUAL.
- B. MANHOLE WALL
- C. INFLUENT SEWER PIPE.
- D. 90° BEND (P.V.C.)
- E. P.V.C. PIPE (SDR. 35)
- F. P.V.C. TEE
- G. CONCRETE FLOWABLE FILL
- H. 2500 PSI CONCRETE
- I. USE GROUT TO FORM A SMOOTH CHANNEL TO MANHOLE INVERT

S-20
SHEET
1 OF 1

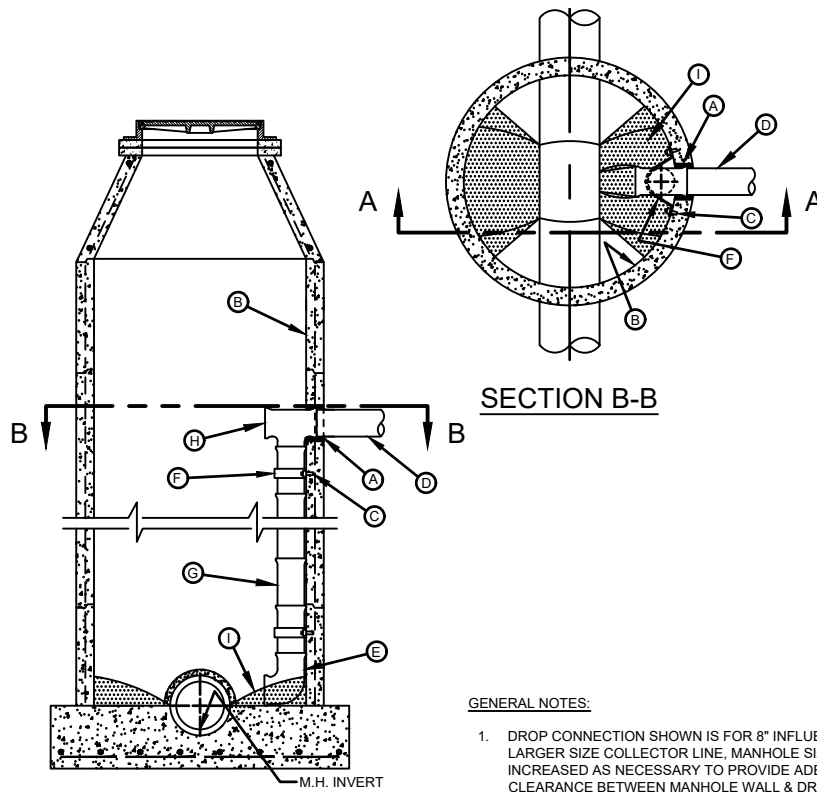
**DROP CONNECTION - EXTERNAL
MANHOLE CONNECTION**
NOT TO SCALE
APPROVED BY: XB DRAWN BY: QH



**TODD CREEK
VILLAGE
METROPOLITAN
DISTRICT**



DATE	REVISIONS
2021-06-19	A1 - ISSUED FOR REVIEW
2022-08-13	A2 - ISSUED FOR APPROVAL



SECTION A-A

SECTION B-B

GENERAL NOTES:

1. DROP CONNECTION SHOWN IS FOR 8" INFLUENT PIPE. FOR LARGER SIZE COLLECTOR LINE, MANHOLE SIZE SHALL BE INCREASED AS NECESSARY TO PROVIDE ADEQUATE CLEARANCE BETWEEN MANHOLE WALL & DROP CONNECTION PIPING AND SHALL ACCOMMODATE THE EPWU'S CONFINED SPACE ENTRY PERMIT PROGRAM.
2. VERIFY MANHOLE STRUCTURAL INTEGRITY (I.E. BRICK TYPE MANHOLES) PRIOR TO INSTALLATION OF ANCHOR STRAPS & EXPANSION BOLTS (SEE NOTES "C" & "F" BELOW)
3. ANCHOR STRAPS & BOLTS, SHALL HAVE ONE HEAVY COAT OF POLYAMIDE CURED COAL TAR EPOXY TO PREVENT CORROSION.
4. DROP CONNECTION TO BE CONSTRUCTED WHEN INVERT ELEVATION OF INFLUENT PIPE IS 2 FEET (OR GREATER) ABOVE THE MANHOLE INVERT.

CONSTRUCTION KEY NOTES:

- A. PIPE OPENINGS IN MANHOLE RISERS SHALL HAVE COMPRESSION TYPE FLEXIBLE PIPE TO MANHOLE CONNECTORS (A.S.T.M. - C923) "KOR-N-SEAL" OR APPROVED EQUAL.
- B. MANHOLE WALL
- C. 1/2" STAINLESS STEEL EXPANSION BOLT TO HAVE 2" MIN. ANCHORAGE INTO MANHOLE.
- D. 8" INFLUENT SEWER PIPE.
- E. 8" - 90° BEND (P.V.C.)
- F. 2" WIDE X 3/16" THICK STAINLESS STEEL (T316) STRAP @ 4' O.C. (AS REQUIRED)
- G. 8" P.V.C. PIPE (SDR. 35)
- H. 8" X 8" P.V.C. TEE
- I. USE GROUT TO FORM A SMOOTH CHANNEL TO MANHOLE INVERT

S-21

**DROP CONNECTION - INTERNAL
MANHOLE CONNECTION**

NOT TO SCALE



**TODD CREEK
VILLAGE
METROPOLITAN
DISTRICT**

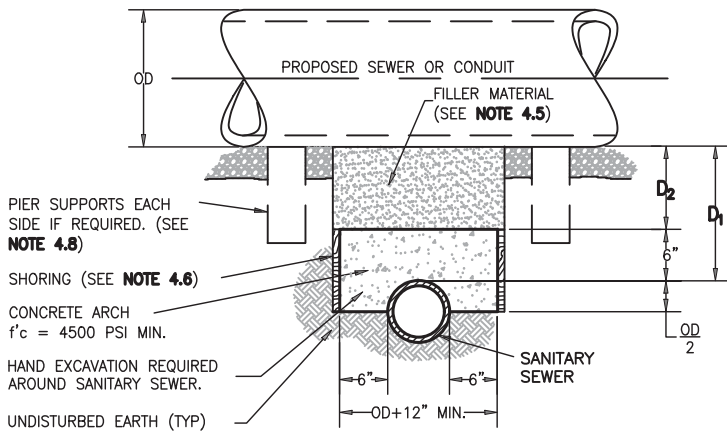


DATE	REVISIONS
2021-06-19	A1 - ISSUED FOR REVIEW
2022-08-13	A2 - ISSUED FOR APPROVAL

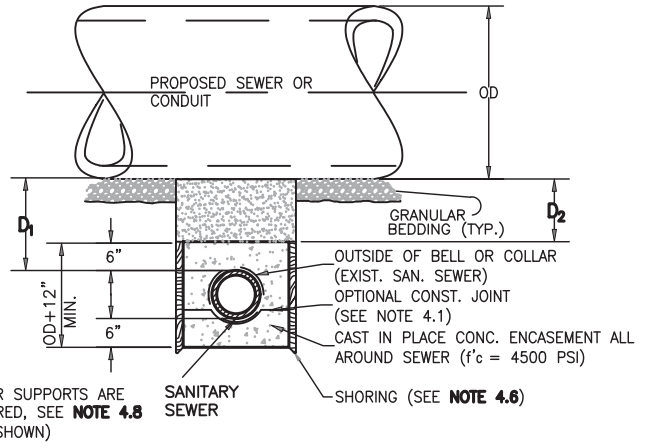
SHEET
1 OF 1

APPROVED BY: XB

DRAWN BY: QH

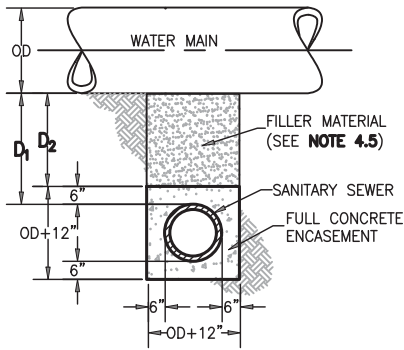


CONCRETE ARCH

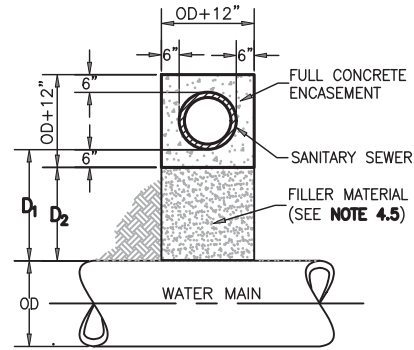


FULL ENCASEMENT

TYPE I - SANITARY SEWER CROSSING SEWER OR STORM
(N.T.S.)



TYPE II - SEWER CROSSING UNDER WATER MAIN
IF D1 > 24", ENCASEMENT NOT REQUIRED



TYPE III - SEWER CROSSING OVER WATER MAIN
FULL ENCASEMENT REQUIRED REGARDLESS OF DIMENSION "D1"

NOTES:

- 4.1 CONCRETE TO BE CAST AGAINST UNDISTURBED SOIL OR SHORING. IF OPTIONAL CONSTRUCTION JOINT IS USED AND BOTTOM HALF OF ENCASEMENT IS POURED SEPARATELY, A ONE INCH LAYER OF SAND OR MORTAR SHALL BE PLACED BETWEEN BOTTOM OF SANITARY SEWER AND TOP OF CONCRETE.
- 4.2 LENGTH OF ENCASEMENT FOR :
 - (A) TYPE I ENCASEMENT SHALL EXTEND FULL TRENCH WIDTH EXCAVATED FOR PROPOSED SEWER OR CONDUIT.
 - (B) TYPE II & III ENCASEMENT SHALL EXTEND AT LEAST 10 FEET EACH SIDE OF WATER MAIN.
- 4.3 UNLESS OTHERWISE NOTED ON PLAN/PROFILE DRAWINGS, TYPE I, II, & III ENCASEMENTS NEED NOT BE REINFORCED. REINFORCEMENT, IF REQUIRED, TO BE SPECIFIED AND DETAILED SEPARATELY ON PLAN & PROFILE DRAWINGS.
- 4.4 TYPE I, II OR III ENCASEMENT REQUIRED UNDER FOLLOWING CONDITIONS:
 - (A) TYPE I REQUIRED IF $D_2 \leq 18"$ ($D_2 \leq 12"$) EXCEPT FOR SANITARY SEWERS CROSSING OVER OR UNDER WATER MAINS.
 - (B) TYPE II REQUIRED FOR SANITARY SEWERS CROSSING UNDER WATER MAINS AND $D_1 \leq 24"$ ($D_2 \leq 18"$).
 - (C) TYPE III REQUIRED FOR SANITARY SEWERS CROSSING OVER TOP OF WATER MAINS, REGARDLESS OF DIMENSION "D1".
 - (D) EXCEPT FOR UNUSUAL CIRCUMSTANCES, WATER MAIN CROSSINGS, OR WHERE UNSTABLE SOIL CONDITIONS ARE ENCOUNTERED, TYPE I ENCASEMENT WILL NORMALLY BE SATISFACTORY.
 - (E) IF THE SANITARY SEWER IS REPLACED OR CONSTRUCTED OF CAST IRON PIPE (AWWA C-106 OR C-108) OR DUCTILE IRON PIPE (AWWA C-150 OR C-151), CONCRETE ENCASEMENT MAY NOT BE REQUIRED.
- 4.5 FILLER MATERIAL BETWEEN CONDUITS TO BE:
 - (A) APPROVED COMPRESSIBLE MATERIAL SUCH AS STYROFOAM, ETC., IF $D_2 \leq 6"$.
 - (B) COMPACTED GRANULAR BEDDING IF $D_2 > 6"$. (IF $D_2 > 6"$ FOR TYPE IIB ENCASEMENT POUR CONCRETE ON UNDISTURBED SOIL).
 - (C) OR DICTATED BY UTILITY OWNER.
- 4.6 SHORING OR SHEETING, IF USED, TO BE CUT OFF AT TOP OF ENCASEMENT.
- 4.7 THESE ENCASEMENT DETAILS MAY ALSO BE APPLICABLE FOR CONDUITS OTHER THAN STORM OR SANITARY SEWER INSTALLATIONS.
- 4.8 IN CERTAIN SITUATIONS WHERE THE EXISTING CONDUIT DIAMETER IS EXTREMELY LARGE, PIER SUPPORTS ON EACH SIDE OF SANITARY SEWER MAY ALSO BE REQUIRED. IF REQUIRED, SUPPORTS TO BE SPECIFIED AND DETAILED SEPARATELY ON PLAN AND PROFILE DRAWINGS. NO PIPE JOINTS OVER TOP OF WATER MAIN.
- 4.9 INTERNATIONAL PLUMBING CODE APPROVED MATERIALS ALLOWED.

LEGEND
 OD: OUTSIDE DIAMETER
 D1: DISTANCE FROM OD TO OD
 D2: DEPTH OF FILLER MATERIAL

S-22	PIPE ENCASEMENT AT SEWER UTILITY CROSSING NOT TO SCALE		TODD CREEK VILLAGE METROPOLITAN DISTRICT		TODD CREEK VILLAGE										
SHEET 1 OF 1	APPROVED BY: <u>XB</u> DRAWN BY: <u>QH</u>				<table border="1" style="width: 100%; border-collapse: collapse;"> <thead> <tr> <th style="width: 15%;">DATE</th> <th>REVISIONS</th> </tr> </thead> <tbody> <tr> <td>2021-06-19</td> <td>A1 - ISSUED FOR REVIEW</td> </tr> <tr> <td>2022-08-13</td> <td>A2 - ISSUED FOR APPROVAL</td> </tr> <tr> <td> </td> <td> </td> </tr> <tr> <td> </td> <td> </td> </tr> </tbody> </table>	DATE	REVISIONS	2021-06-19	A1 - ISSUED FOR REVIEW	2022-08-13	A2 - ISSUED FOR APPROVAL				
DATE	REVISIONS														
2021-06-19	A1 - ISSUED FOR REVIEW														
2022-08-13	A2 - ISSUED FOR APPROVAL														